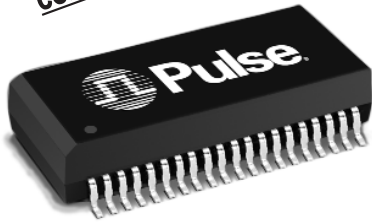


# 10/100BASE-TX QUAD PORT TRANSFORMER MODULES

For Use with Level One's LXT974, LXT975 and LXT980 Series of PHY Solutions



- RoHS-6 peak reflow temperature rating: 245°C
- RoHS-5 peak reflow temperature rating: 235°C
- Meets IEEE 802.3 specification
- Models designed to support four single- or double-stacked RJ-45 connectors

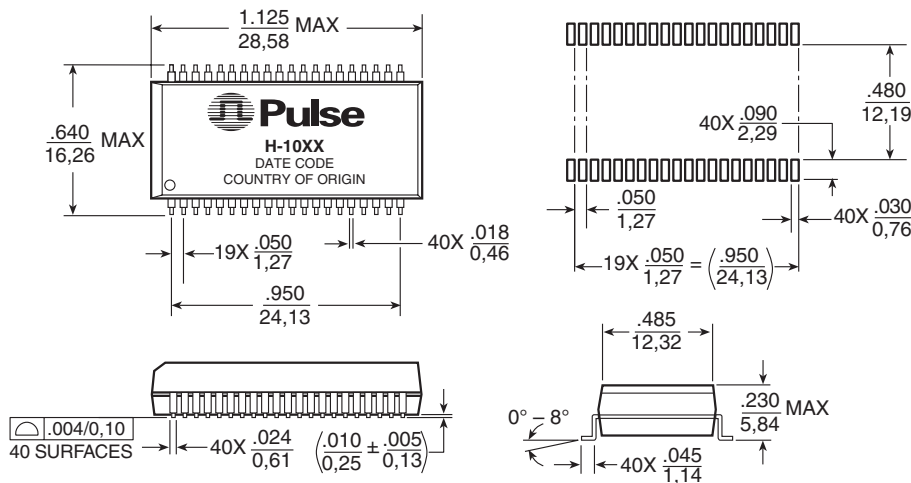
## Electrical Specifications @ 25°C — Operating Temperature 0°C to 70°C

RoHS-5 <sup>4</sup> Compliant Part Number	RoHS-6 <sup>5</sup> Compliant Part Number	Insertion Loss (dB TYP)	Return Loss (dB TYP)				Crosstalk (dB MIN)				Common to Common Rejection Ratio 0.1-60MHz (dB MIN)		Differential to Common Mode Rejection (dB MIN)	
			0.1-100MHz	2-30MHz	40MHz	50MHz	60-80MHz	1MHz	30MHz	60MHz	100MHz	Transmit	Receive	1-60MHz
H1068	H1068NL <sup>3d</sup>	-0.5	-21	-17	-14.5	-12	-60	-50	-40	-35	-30	-30	-40	-30
H1069	H1069NL <sup>3d</sup>	-0.5	-21	-17	-14.5	-12	-60	-50	-40	-35	-30	-30	-40	-30
H1074	H1074NL <sup>3d</sup>	-0.5	-21	-17	-14.5	-12	-60	-50	-40	-30	-30	-30	-40	-30

- All product meets input/output breakdown (HiPot) of 1500 Vrms.
- For Tape & Reel packaging, add suffix "T" to the end of the part number e. g. H1069T
- MSL=Moisture Sensitivity Level a=1 b=2 c=3 d=4
- RoHS-5: Product does not contain 5 out of the 6 banned substances specified in the RoHS directive (product contains lead in applications considered solder).
- RoHS-6: Product does not contain 5 out of the 6 banned substances specified in the RoHS directive. Some internal connections may contain lead in high-temperature solder (solder alloys containing more than 85% lead).

## Mechanical

### H10XX



Dimensions:  $\frac{\text{Inches}}{\text{mm}}$  Unless otherwise specified, all tolerances are  $\frac{\pm.010}{0.25}$

# 10/100BASE-TX QUAD PORT TRANSFORMER MODULES

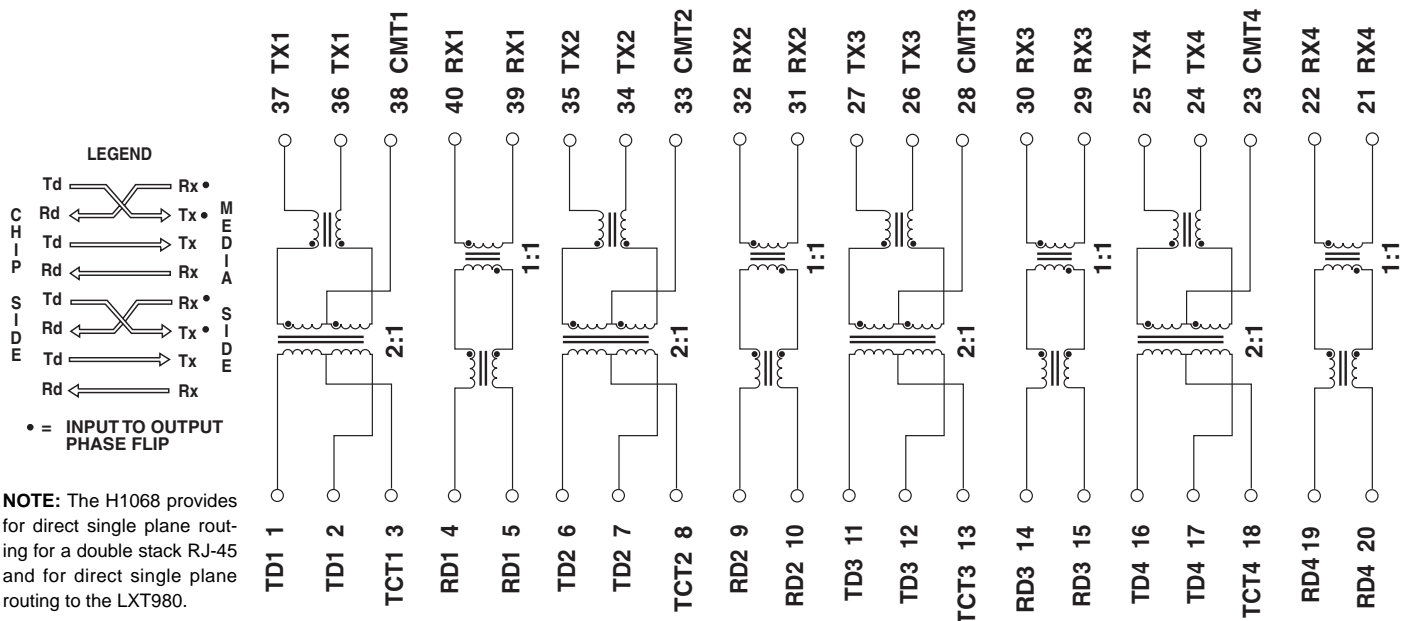
For Use with Level One's LXT974, LXT975 and LXT980 Series of PHY Solutions



**Pulse**  
A TECHNITROL COMPANY

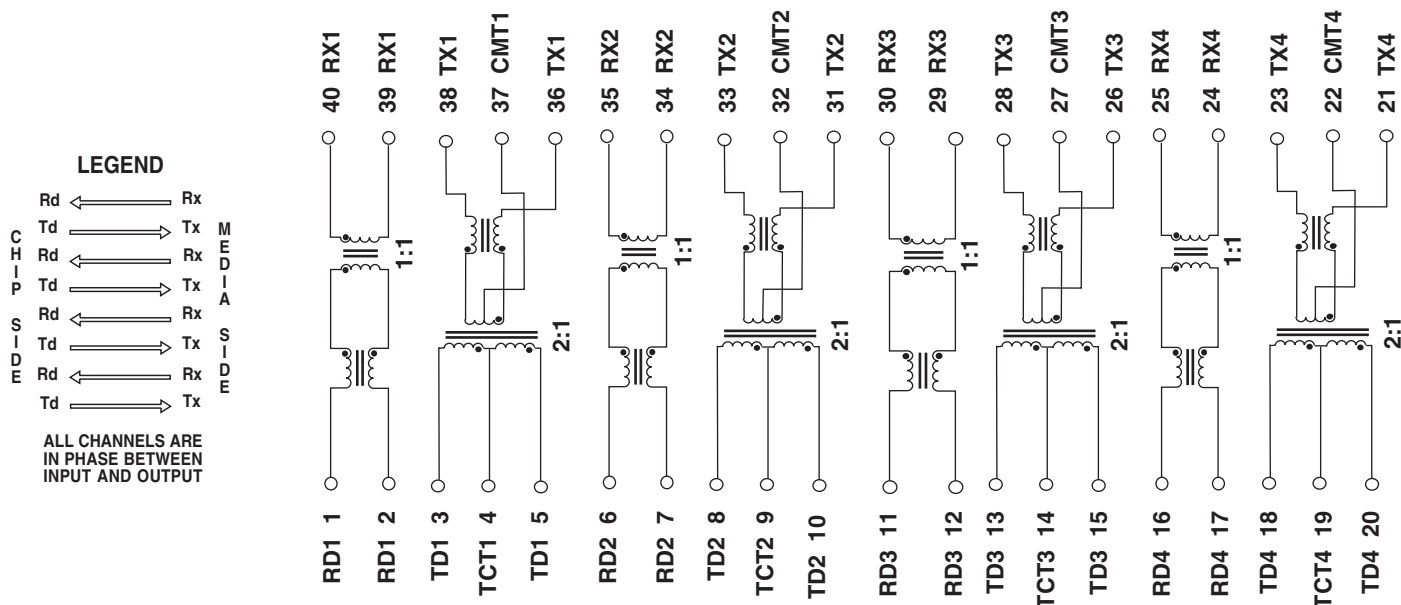
## Schematics

### H1068



**NOTE:** The H1068 provides for direct single plane routing for a double stack RJ-45 and for direct single plane routing to the LXT980.

### H1069



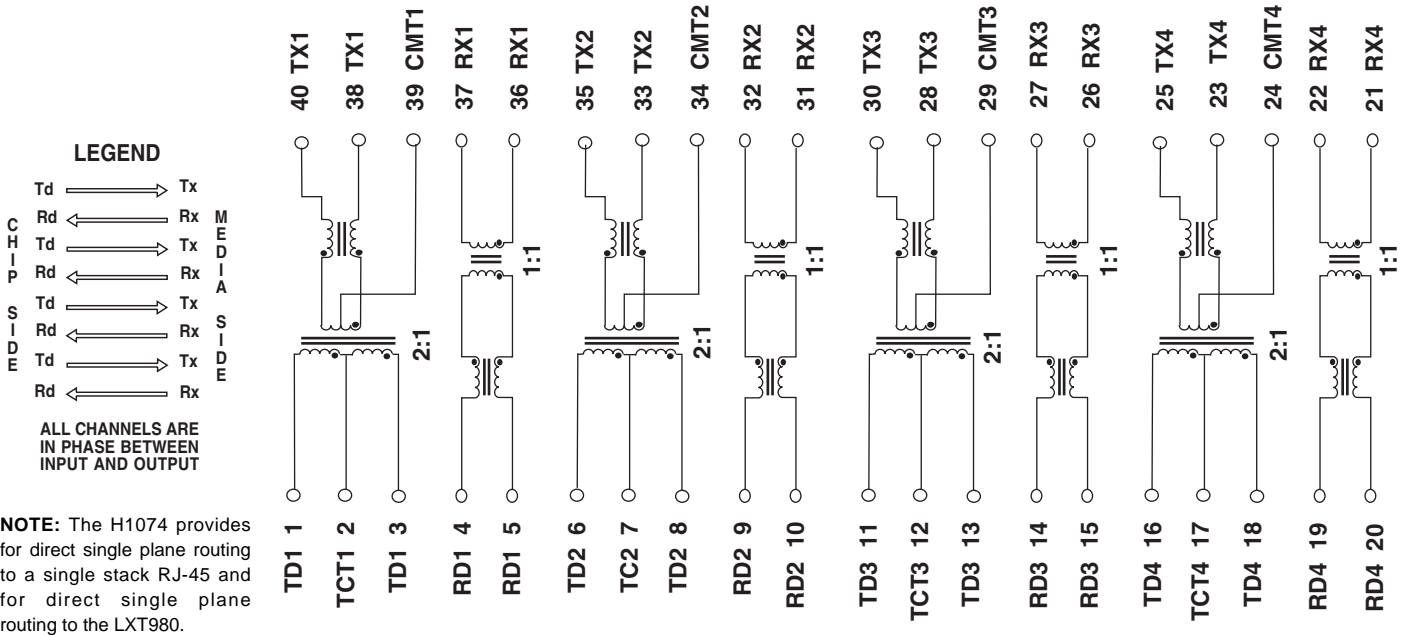
# 10/100BASE-TX QUAD PORT TRANSFORMER MODULES

For Use with Level One's LXT974, LXT975 and LXT980 Series of PHY Solutions

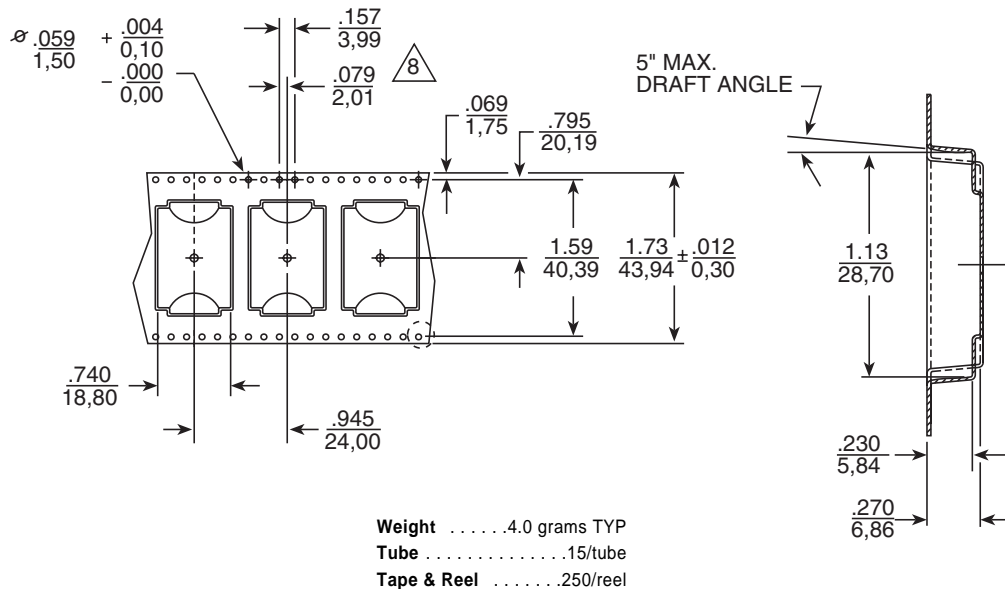


## Schematic

**H1074**



## Tape and Reel Specifications



# 10/100BASE-TX QUAD PORT TRANSFORMER MODULES

For Use with Level One's LXT974, LXT975  
and LXT980 Series of PHY Solutions



**Pulse**  
A TECHNITROL COMPANY

## For More Information:

### Pulse Worldwide Headquarters

12220 World Trade Dr.  
San Diego, CA 92128  
U.S.A.

[www.pulseeng.com](http://www.pulseeng.com)

TEL: 858 674 8100  
FAX: 858 674 8262

### Pulse European Headquarters

Einsteinstrasse 1  
71083 Herrenberg  
Germany

TEL: 49 7032 7806 0  
FAX: 49 7032 7806 12

### Pulse China Headquarters

No. 1  
Industrial District  
Changan, Dongguan  
China

TEL: 86 769 85538070  
FAX: 86 769 85538870

### Pulse North China

Room 1503  
XinYin Building  
No. 888 YiShan Rd.  
Shanghai 200233  
China

TEL: 86 21 54643211/2  
FAX: 86 21 54643210

### Pulse South Asia

150 Kampong Ampat  
#07-01/02  
KA Centre  
Singapore 368324

TEL: 65 6287 8998  
FAX: 65 6280 0080

### Pulse North Asia

No. 26  
Kao Ching Rd.  
Yang Mei Chen  
Taoyuan Hsien  
Taiwan, R. O. C.

TEL: 886 3 4641811  
FAX: 886 3 4641911

Performance warranty of products offered on this data sheet is limited to the parameters specified. Data is subject to change without notice. Other brand and product names mentioned herein may be trademarks or registered trademarks of their respective owners.

© Copyright, 2006. Pulse Engineering, Inc. All rights reserved.